

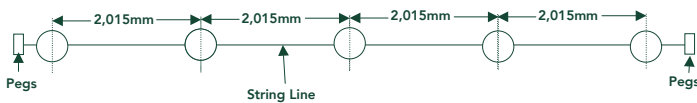
DIY CONCRETE SLEEPERS

INSTALLATION GUIDE:

This guide is a basic outline of how to install a concrete retaining wall. For simplicity it is based on installing a 1 metre high retaining wall with 2 metre sleepers. For different wall heights please adjust the figures accordingly.

Step 1: Setting up

When setting up your retaining wall you need to establish the correct alignment, particularly if the retaining wall is located on a boundary. In most cases, the person who alters the natural ground level is responsible for the retaining wall, however you should check with your local council as each region may have different laws.



Step 2: Laying out

You will need to set a string line along the line of the proposed retaining wall. Set your pegs 500mm past each end of the retaining wall so that the end holes do not disturb your string line.

Mark out where each hole will need to be dug (hole centres should be 2015mm apart for 2m sleepers).

Step 3: Steel lengths

As a rough guide, the steel should be cut to double the height of the wall, so a 1 m wall will require 2 m steel lengths. This may vary depending on your type of soil.

Step 4: Digging the holes

Holes should be dug to the same height as the wall, plus 100mm. For example, a 1 metre high wall should be dug to $1,000 + 100\text{mm} = 1,100\text{mm}$. Hole diameters should be approx 450mm.

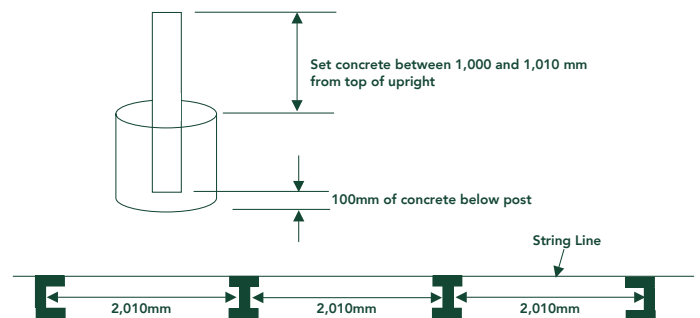
Step 5: Concreting

Once your holes are dug, concrete your steel uprights in place leaving a gap of 2,010 mm between them.

The easiest way to do this is to cut a piece of wood to the right length. Check each upright with a spirit level as you go.

Do not overfill the holes with concrete – the distance from the top of the upright to the top of the concrete should be 1,000 to 1,010mm.

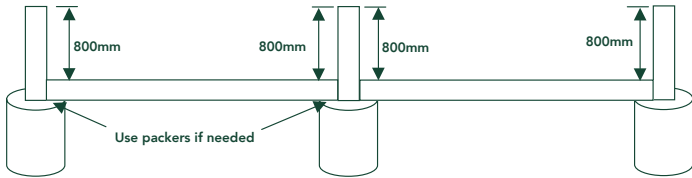
It pays to double-check your distances between posts as you go.



1800 191 131
australianpaving.com

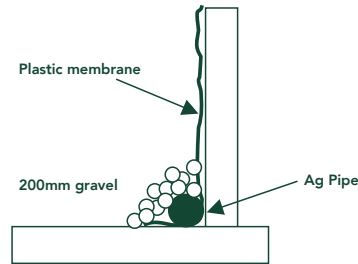
easy as...
APC
AUSTRALIAN
PAVING CENTRE

DIY CONCRETE SLEEPERS



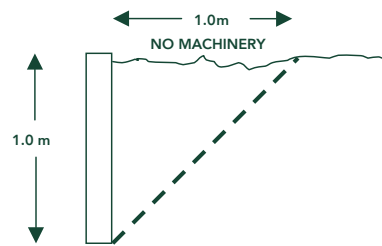
Step 6: Slotting your wall

Once the posts have set for at least 24 hours you can start slotting your sleepers. In most cases it is best to set your bottom sleeper first, and then check the measurement from the top of the sleeper to the top of the upright. For a 1 m wall you should end up with 800mm. If the measurement is more, place packers under the ends of the sleeper until it is correct. Packers should be made of a material that will not disintegrate.



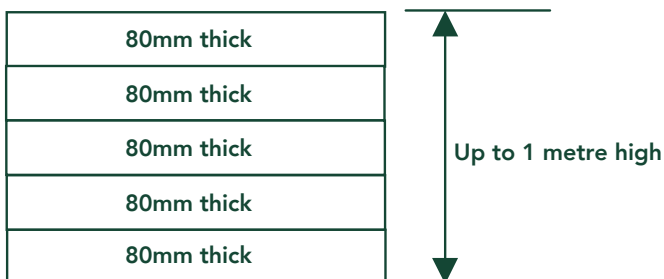
Step 7: Preparing for backfilling

Once your sleepers are slotted you will need to place a plastic membrane behind the wall, and place ag pipe along the bottom. Cover the ag pipe with 200mm of gravel to allow sufficient draining.



Step 8: Back-filling

Concrete sleepers are designed to take the pressure of soil behind them, however it is not recommended to compact directly behind the wall. As a general rule you should never compact and closer to the wall than it's height, so for a 1m wall, heavy machinery should be kept at least 1 m away from it.



Note: These instructions are supplied as a basic guide only. APC Paving accepts no responsibility in regards to the installation of a wall, or for any issues that occur as a result of an incorrect installation. For large walls, structural engineers should be employed to ensure structural integrity. Any queries please contact your local council.

